



Caring for cleverBOARD accessories

Store the styli and other accessories in the CleverBOARD lockable compartment. Cap your styli to stop your markers from drying out. Remove the batteries if you do not use CleverBOARD for extended periods.

Whiteboard size on the PC

If the whiteboard on your PC display appears to be too large or too small, select the proper size using the Board Settings dialog in the mimio application. See mimio online help for more information.

Working with the styli and eraser

Difficulty using the mimio styli and eraser may be due to one of the following:

- Damaged stylus or eraser
- Orientation of stylus/eraser incorrect
- Low battery in stylus/eraser
- Unfriendly IR environment
- Drawing below the marks indicated on CleverBOARD
- Pressing both eraser pads

mimioMouse

What is mimioMouse?

mimioMouse is software that lets you use a mimio stylus when you project your Windows Desktop.

How do I use it?

Project your windows Desktop onto CleverBOARD. Place the mimio pointer insert into any stylus. Run the mimioMouse application from the Windows Start menu. Push the stylus against the surface to click and drag.

How do I right click?

Press the maximize board button on CleverBOARD. The next time you touch the stylus to the projected Desktop, mimioMouse interprets it as a right click.

Sahara Presentation Systems PLC

Williams House, Hailey Road, Erith Kent DA18 4AA England
www.cleverboard.com
CleverBOARD Helpline: 020 8319 7788

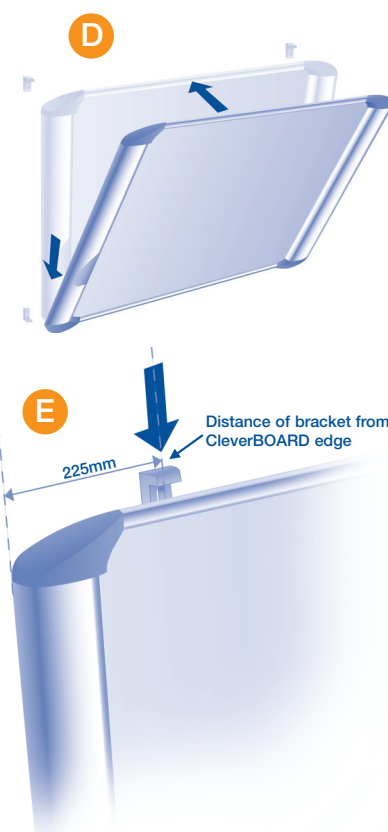
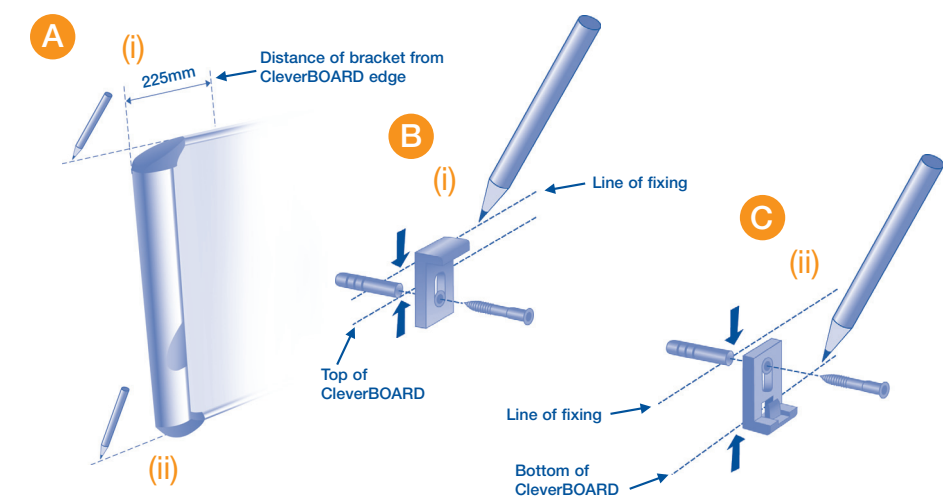
mimio is a registered trademark of Virtual Ink Corporation.
CleverBOARD is a registered trademark of Sahara Presentation Systems PLC.



Installation Guide

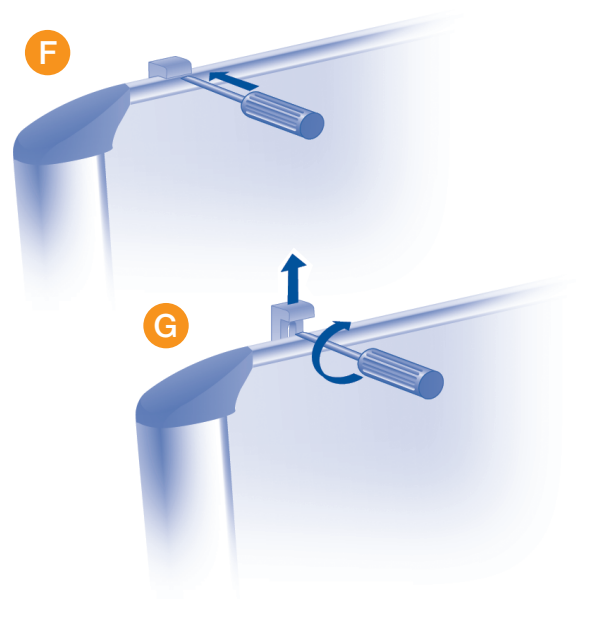
Mounting the CleverBOARD

- Pencil mark the top and bottom of the CleverBOARD as desired on wall, Fig A
- Fix brackets as shown in Figs B and C
- Lift CleverBOARD onto lower brackets, Fig D
- Push the top of the board towards the wall until it is vertical as in Fig D
- The push down top brackets until they 'click' onto the top of the board, Fig E
- The CleverBOARD is now securely wall mounted



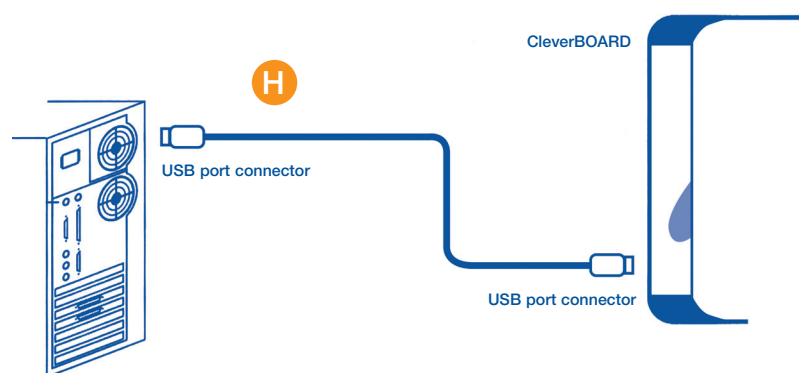
Dismounting CleverBOARD

- Push a flathead screwdriver under the top brackets and turn clockwise as shown in Figs F and G



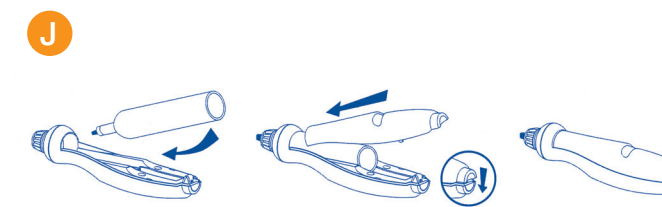
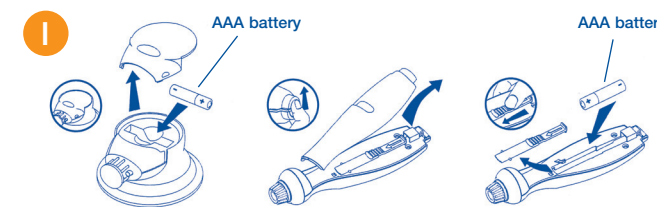
Connecting the CleverBOARD cable

- Shut down your PC and make sure the power is off.
- Connect the mimio cable as shown in Fig H.



Mounting the mimio eraser and styli

- Install batteries in the mimio eraser and in each mimio stylus, Fig I.
- Insert Expo® Dry Erase Markers according to the colour of the stylus, Fig J.



Install the software

- Insert CD into CD-Rom drive
- Loads automatically
- If CD fails to load, click: >Start >Run >Browse >Choose CD Drive >Set up.exe >OK